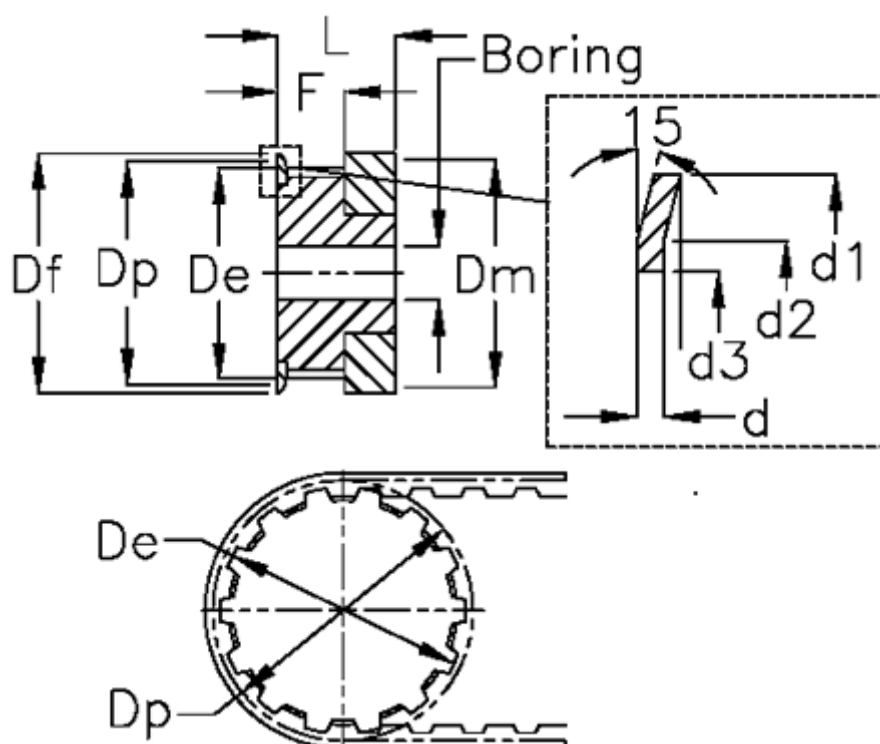


Article number: 604140014006

Description: Timing belt pulley with hub  
HTD 14 3M 6

## Measures



Bore = 4	Dp	= 13.37
d = 0.5	F	= 7.2
d1 = 16	Flange type	= F03
d2 = 13	L	= 14.5
d3 = 9.5	Tooth number	= 14
De = 12.61	Type	= 3M
Df = 16	Weight	= -
Dm = 16	Width	= 06